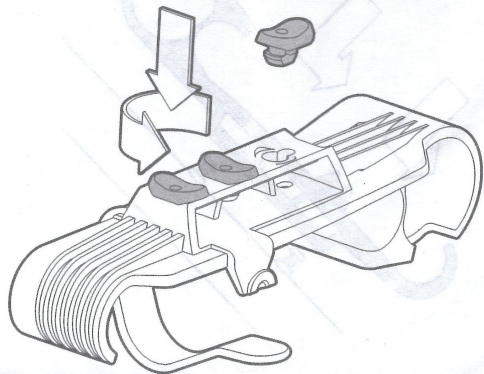
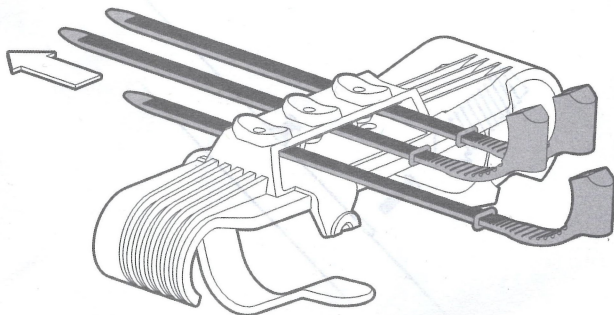


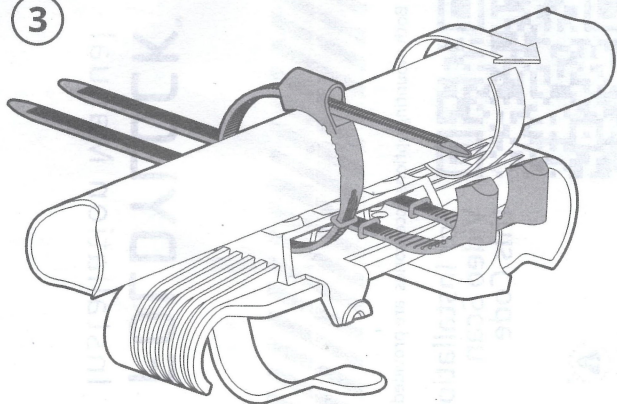
① Mounting with Reusable Straps



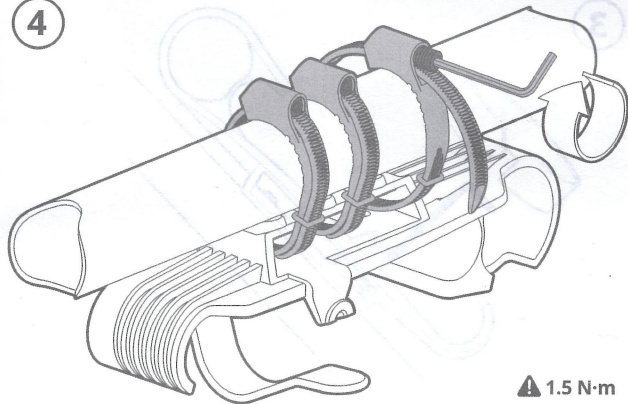
②



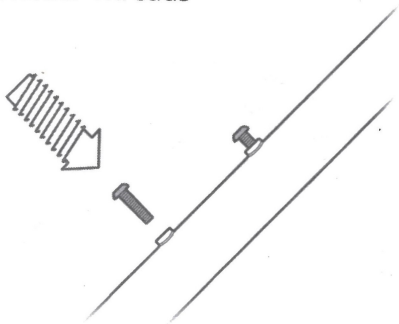
③



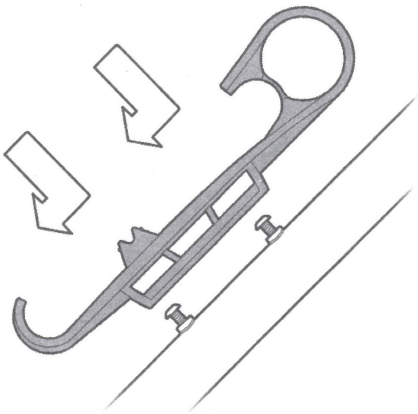
④



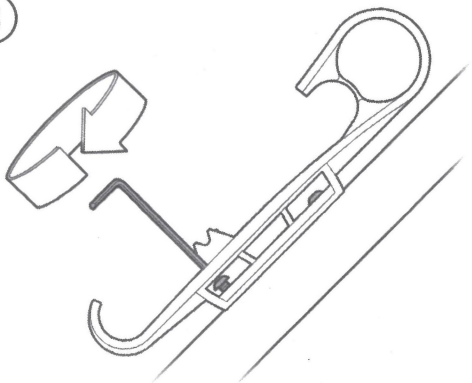
1 Mounting on Frame's Bottle Holder Threads



2



3



Both mounting options accessories are provided

For Installation
Video Scan
this Code

seatylock.com



FOLDYLOCK™
Installation Manual



For mounting case
operation manual

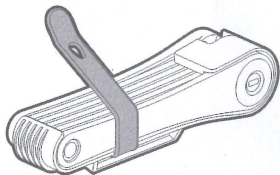
Turn the Page

Scan this code

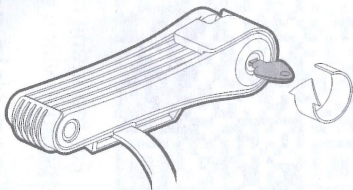
For mounting case
operation video guide



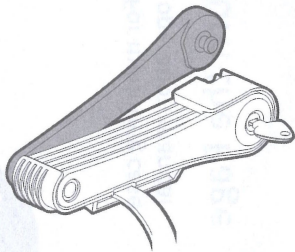
① Release the rubber band



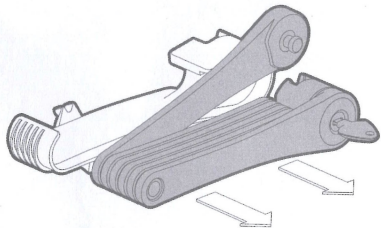
② Insert the key and turn it 180°



③ Pull the link to open the lock



④ Slide it out of the case, sideways





**PLEASE NOTICE:
THE CASE SHOULD
BE MOUNTED WITH
ITS OPENING
FACING UP!**